



- 1 cylinder
- 349 cm³
- 5.5 kW/7.5 HP
- 3600 rpm
- Nm. 16.6@2400

Homologation

- EPA TIER 2
- ECE R 24

Construction

- 4 -stroke air cooled diesel engine.
- Conical power take-off on crankshaft.
- Anticlockwise rotation.
- Direct injection.
- Forced lubrication with oil pump.
- Centrifugal mass governor.
- Built-in full flow oil filter.
- Oil breathing blow-by with safety device.
- Automatic mechanical fuel supplement.
- Self bleeding fuel system.
- Torque regulator.
- Automatic compression release.
- Die-cast aluminium crankcase with integral cast iron cylinder liner.
- Aluminium alloy cylinder head.
- Built-in rigid feet.

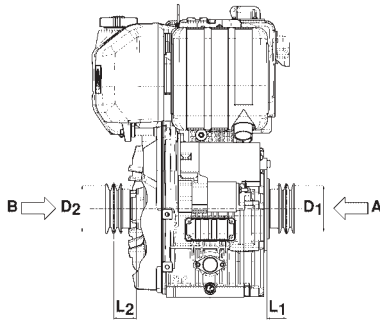


Applications

- Two-wheel tractor
- Agricultural mower
- Agricultural pump
- High pressure cleaner
- Generating set
- Vibrating plate
- Hydraulic power pack

Specifications

Cylinders	N.	1
Displacement	cm ³	349
Bore	mm	82
Stroke	mm	66
Compression ratio		20.3:1
Rating kW/HP	N (80/1269/CEE) ISO 1585	5.5/7.5
	NB ISO 3046 IFN	5.1/7.0
	NA ISO 3046 ICXN	4.7/6.4
Max. torque	Nm.	16.6@2400
Min. idling speed		950÷1000
Fuel tank capacity	l	4.3
Oil consumption	kg/h.	0.0032
Oil sump capacity	l	1.2
Min. allowable oil pressure	bar	1÷1.5
Max. allowable inclination for short periods of operation (peak values)		25° (35°)
Vol. of air required for correct combustion @ 3600 r.p.m.	l/min.	540
Vol. of air required for correct cooling @ 3600 r.p.m.	l/min.	5000
Dry weight	kg	33
Recommended battery	V/Ah	12/44
Minimum pulley diameters for belt drive		



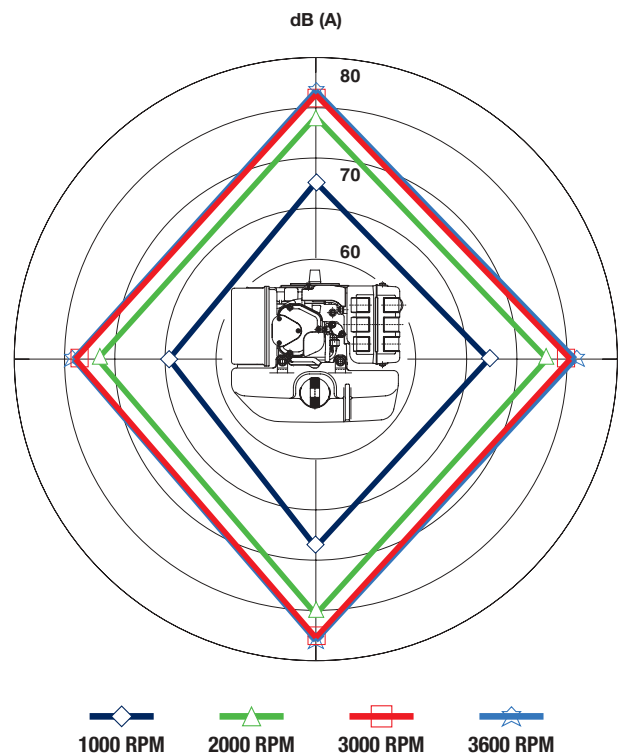
$$D_2 \text{ (mm)} \geq 860 [60 + L_2 \text{ (mm)}] \frac{N \text{ (kW)}}{n \text{ (RPM)}}$$

$$D_1 \text{ (mm)} \geq 820 [55 + L_1 \text{ (mm)}] \frac{N \text{ (kW)}}{n \text{ (RPM)}}$$

Max. allowable axial load in both directions A-B = 200 kg

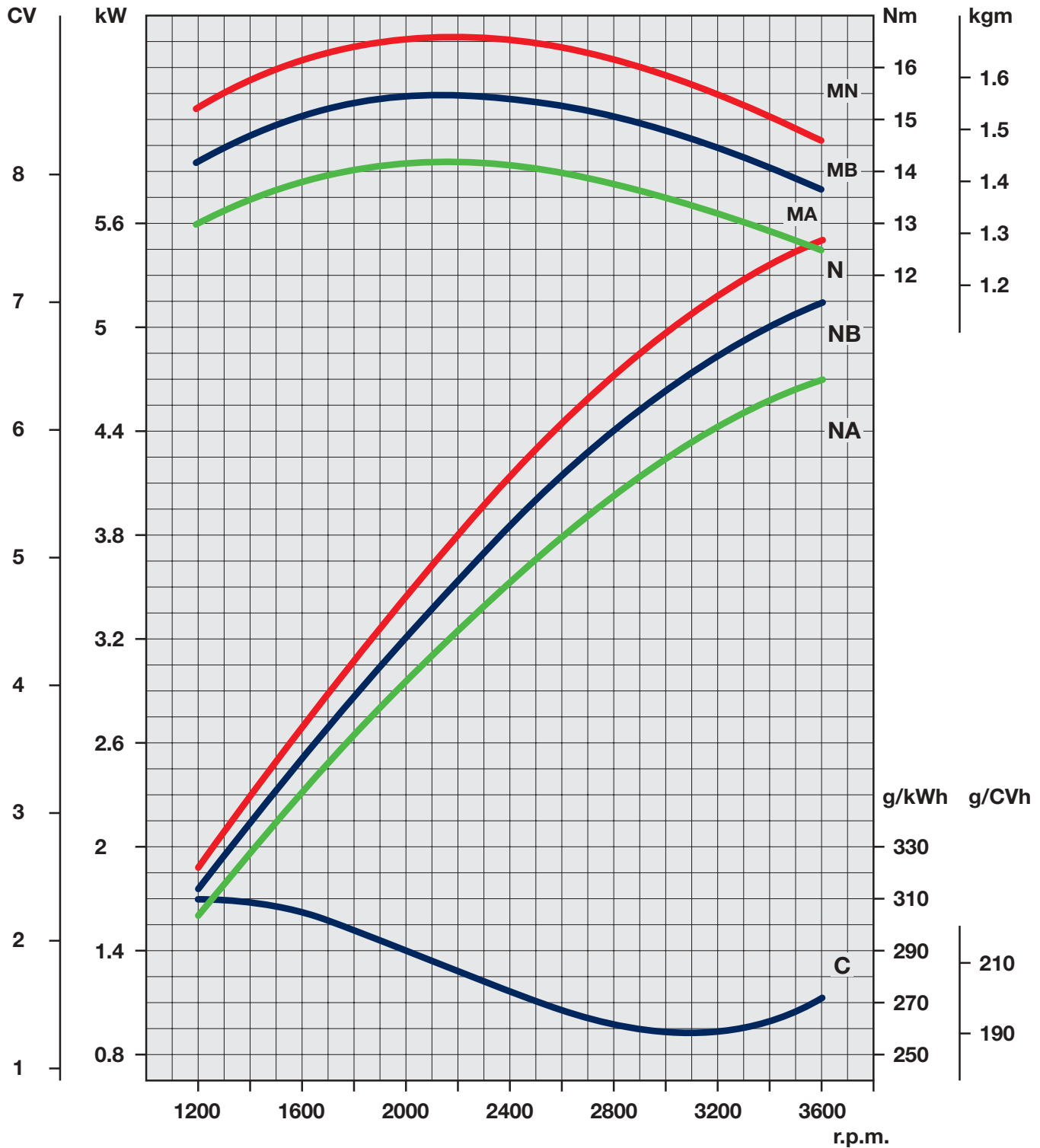
Sound pressure level dB (A)

Sound level polar diagram open field - 7 meters microphone - no load running engine.



SERIE RY

Curves RY 75



N Power curve - 80/1269/CEE - ISO 1585 -

NB Power curve - ISO 3046/1 - IFN -

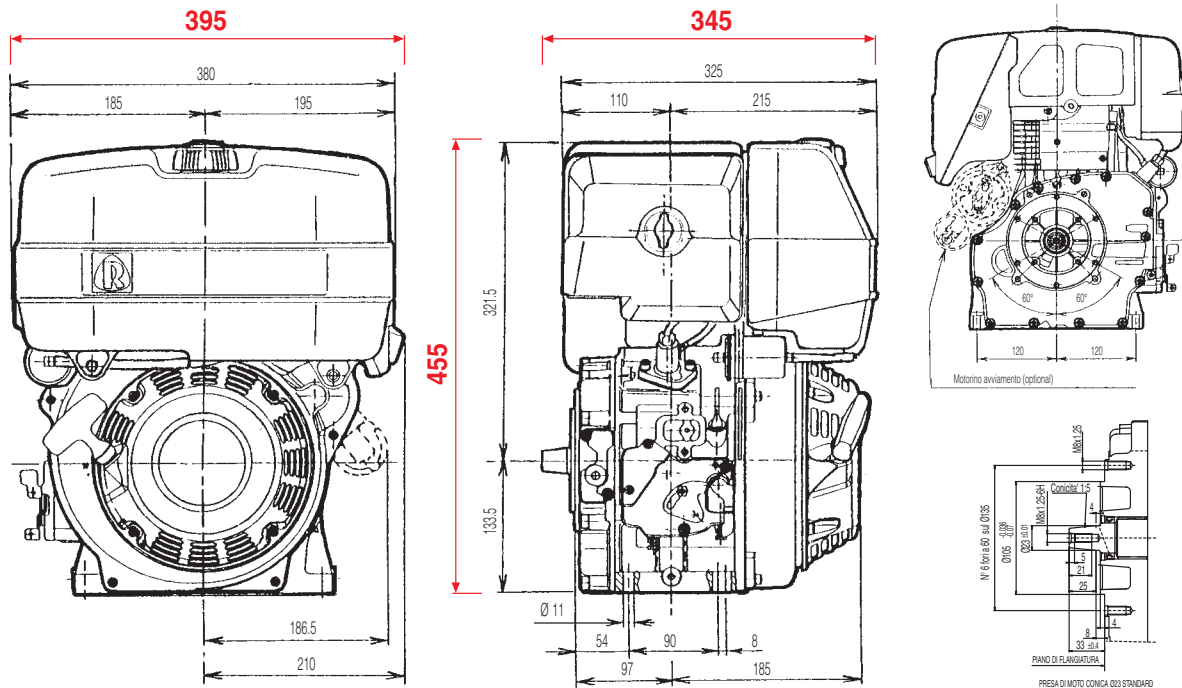
NA Power curve - ISO 3046/1 - ICXN -

MN Torque curve - (N curve)

MB (B curve - **MA** (A curve)

C Specific fuel consumption - (NB curve)

Technical drawings *



* More specific dimensions are available on www.ruggerini.it (see table at the bottom of the page)

Standard equipment

- Recoil starting and automatic compression release
- Fuel tank
- Fuel filter
- Dry-air cleaner
- Muffler protection
- Accelerator and stop manual control
- Flange with $\varnothing 23$ mm conical shaft
- Standard paint: red paint on sheet metal parts
- User maintenance - spare parts booklet

Accessories on request

- Power take-off flywheel side (engines with electrical starting)
- Power take-off with flanging and special shaft
- Parallel crankshaft
- Internal dynamic balancer
- Oil-bath air-cleaner
- Electric start
- Control board
- Emergency stop through electrovalve
- Accelerator and stop remote control
- Single lever panel
- Panel protection
- Fuel lift pump
- Oil dipstick on cylinder head
- Oil pressure switch
- Oil temperature switch
- Glow plug on intake manifold
- Recoil with denoising cover
- Grass protection for engine cooling

Files for this product available on www.ruggerini.it

Data sheet	RY75DS.PDF
Owner manual	RY75OM.PDF
Service manual	RY75SM.PDF
Technical drawing	RY75TD.DWG
Power curve	RY75PC.PDF



Via Cav. del Lavoro Adelmo Lombardini, 2
42100 Reggio Emilia - Italia
Tel. ++39 0522.3891 - Fax ++39 0522.389503
www.ruggerini.it

RUGGERINI RESERVES THE RIGHT TO MAKE MODIFICATIONS WITHOUT PRIOR NOTICE

cod. 3558256 - 11/2005 - mod. 50242/5

trademark of

